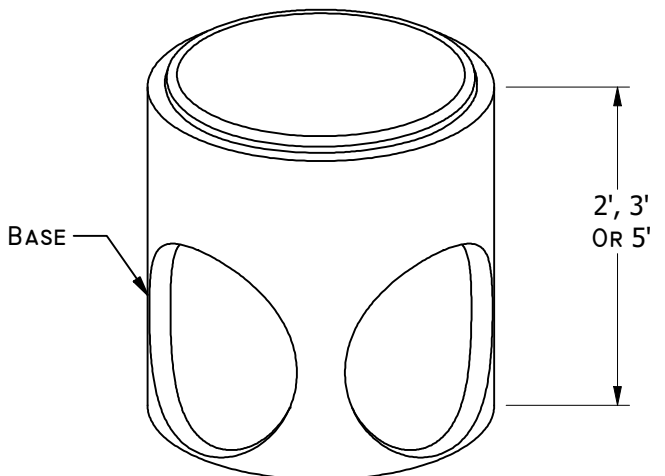
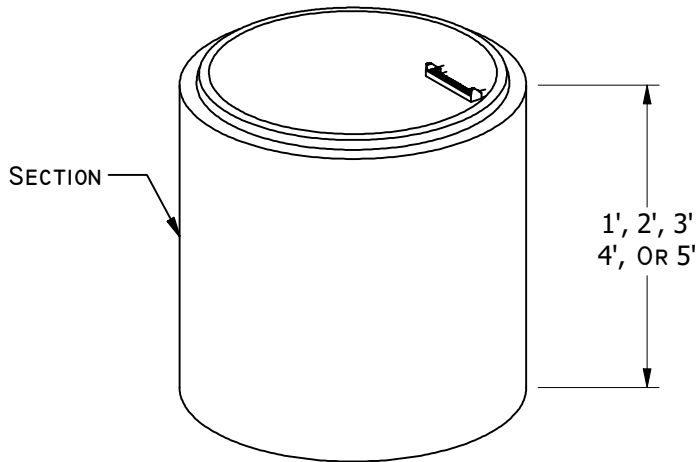
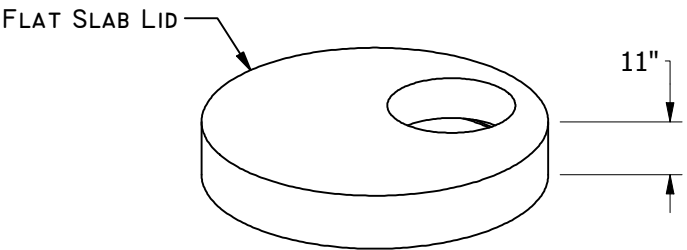
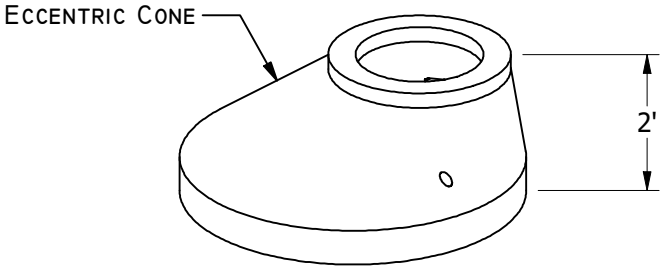
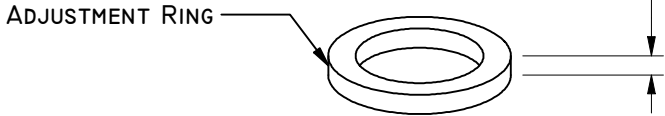


19604 67TH AVE NE ARLINGTON, WA 98223
 (360) 435-5531 WWW.CUZCONCRETE.COM

2", 4", OR 6"



CONFORMS TO:

- WASHINGTON STATE APWA/WSDOT (STANDARD SPECIFICATIONS)
- MEETS H-20 REQUIREMENTS
- ASTM C478 MANHOLES
- ASTM C443 RUBBER GASKET JOINTS
- ASTM C-33 AND C-150 28 DAY COMPRESSIVE STRENGTH F'c = 4000PSI

REINFORCING:

- TOP SLAB #5 DEFORMED REBAR AROUND OPENING DIAGONALLY ON BOTH SIDES OF OPENING AT 6" O.C. IN BOTH DIRECTIONS
- CIRCUMFERENTIAL WALL: MINIMUM 0.135 SQ.IN./LINEAR FT.
- BASE: 0.19 SQ.IN./LINEAR FT. IN BOTH DIRECTIONS; MINIMUM YIELD STRENGTH = 60,000PSI

HOLE DIMENSIONS

- STANDARD BASE: BANK-CORE DRILL AS NEEDED PER CUSTOMER REQUIREMENTS
- MAXIMUM HOLE DIAMETER IS 42"
- 8" MINIMUM DISTANCE BETWEEN HOLES

STEPS AND LADDERS

- MEET ASTM C478
- STEPS PLACED VERTICALLY 12" O.C.
- LADDER PROVIDED WITH BASE

STRUCTURE DIMENSIONS

- INSIDE DIAMETER: 54"
- OUTSIDE DIAMETER: 65"
- WALL THICKNESS: 5½"
- BASE THICKNESS: 8"

WEIGHTS

- 2' X 54" BASE: 4100LB
- 3' X 54" BASE: 5200LB
- 5' X 54" BASE: 7400LB
- 1' X 54" SECTION: 1400LB
- 2' X 54" SECTION: 2500LB
- 3' X 54" SECTION: 3550LB
- 4' X 54" SECTION: 4600LB
- 5' X 54" SECTION: 5700LB
- 11" X 65" FLAT SLAB LID: 2950LB
- 54" TO 24" X 2' ECC. CONE: 1800LB
- 24" ADJUSTMENT RISER: 80LB PER 2INCHES

OPTIONS

- KOR-N-SEAL RUBBER BOOTS
- PRE-CHANNELED BASES
- COATINGS PER DISTRICT REQUIREMENTS