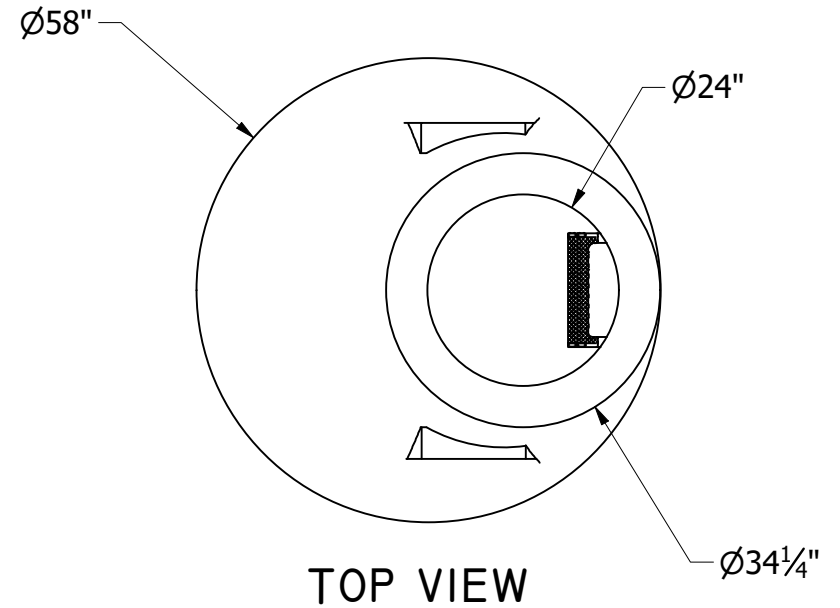
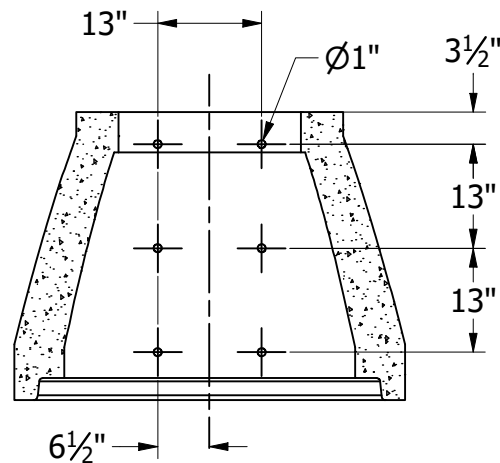


48" TO 24" ECCENTRIC CONE

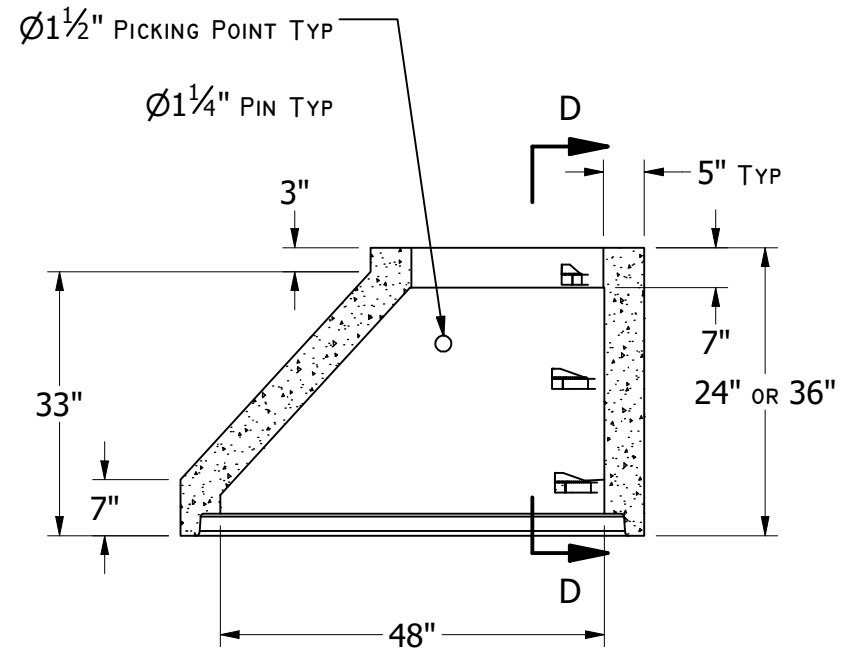


GENERAL NOTES:

- 24 INCH HEIGHT: 1500 LBS
- 48 INCH HEIGHT: 2300 LBS
- AREA OF STEEL: .12 IN²
- CONCRETE 28 DAY COMPRESSIVE STRENGTH F_c: 4000PSI
- REBAR #4 ASTM A-615 GRADE 60
- DL: 36IN EARTH COVER
- LL: 25 SNOW
- SOILS: 2000PSI
- WATER PRESSURE: 62.4PSF
- FLEXIBLE PIPE ADAPTER PRESS SEAL 4IN CAST-A-STEEL
- JOINT MATERIAL MEETS FEDERAL SPECS. SS-S-0021



LADDER DETAIL
 STEPS OMITTED FOR VISIBILITY
 DIMENSIONS TYP
 DETAIL D-D



FRONT SECTIONAL VIEW