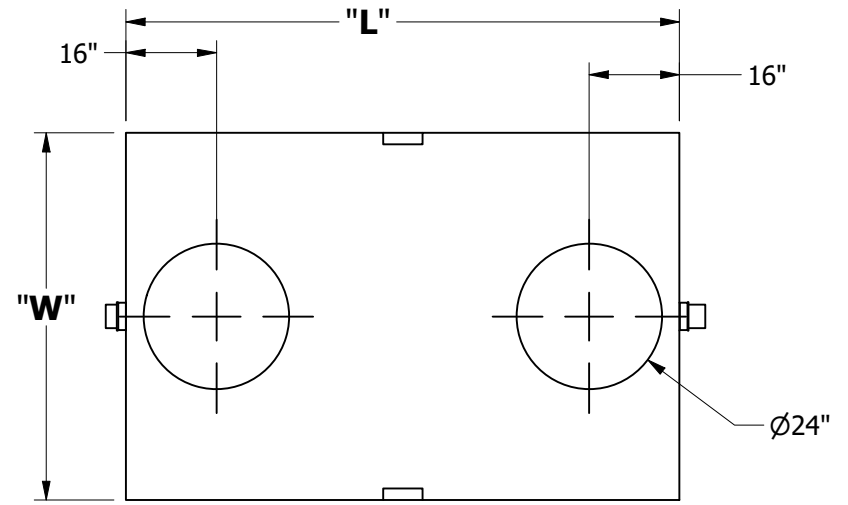
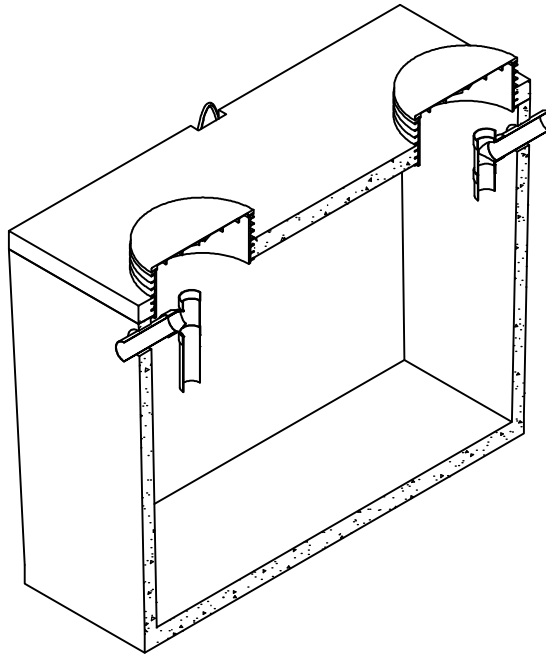


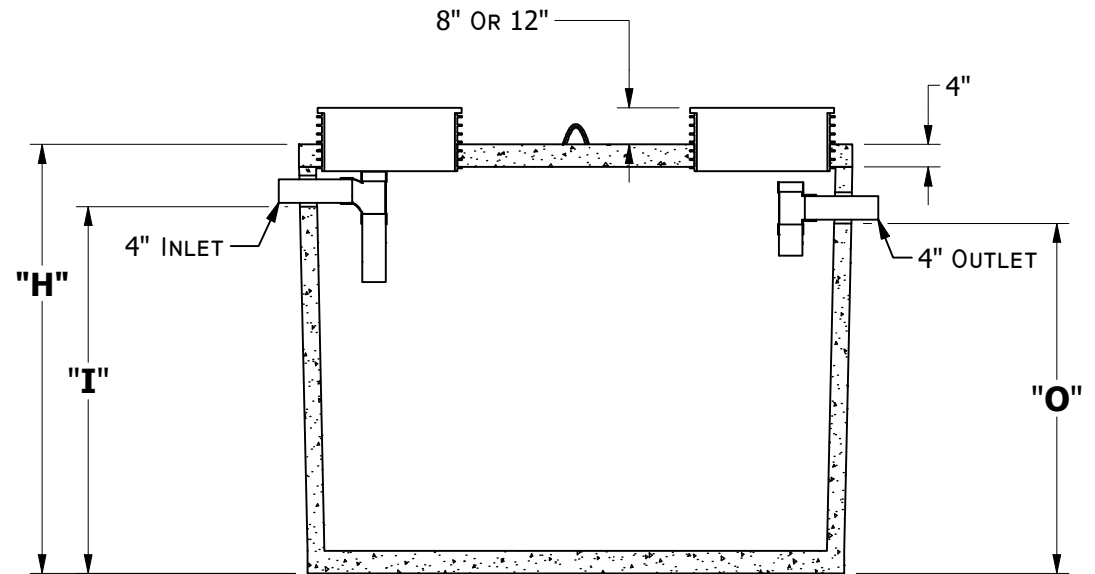
# SINGLE COMP. TRASH TANK (500 - 3000 gal.)



TOP VIEW

**GENERAL NOTES:**

- ALL DIMENSIONS IN INCHES
- IF H2O TRAFFIC LID IS INSTALLED HEIGHT (H) IS RAISED 4IN
- CONCRETE 28 DAY COMPRESSIVE STRENGTH FC: 4000psi
- REBAR #4 ASTM A-615 GRADE 60
- DL: 36in EARTH COVER
- LL: 25 SNOW
- SOILS: 2000psi
- WATER PRESSURE: 62.4psf
- FLEXIBLE PIPE ADAPTER PRESS SEAL 4IN CAST-A-STEEL
- JOINT MATERIAL MEETS FEDERAL SPECS. SS-S-0021
- RISERS AS REQUIRED



FRONT SECTIONAL VIEW

	L	W	H	I	O	Weight (lb)	Gal./in
500 Gal.	64	54	65	54	51	5178	11.16
750 Gal.	73	64	65	54	51	6597	15.82
1000 Gal.	99	64	65	54	51	8778	22.07
1250 Gal.	98	65	76	65	62	9348	22.14
1500 Gal.	114	72	76	65	62	11985	28
1750 Gal.	114	72	82	70	67	12327	27.32
3000 Gal.	151	86	87	76	73	21028	45.18