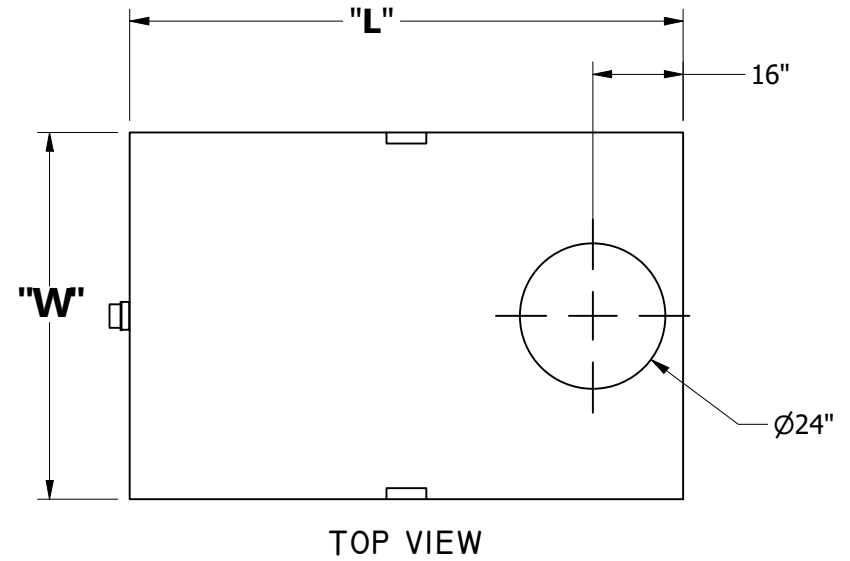
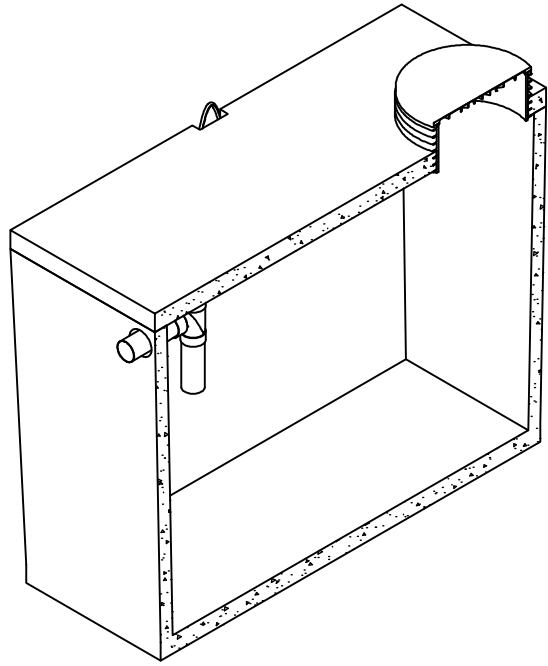
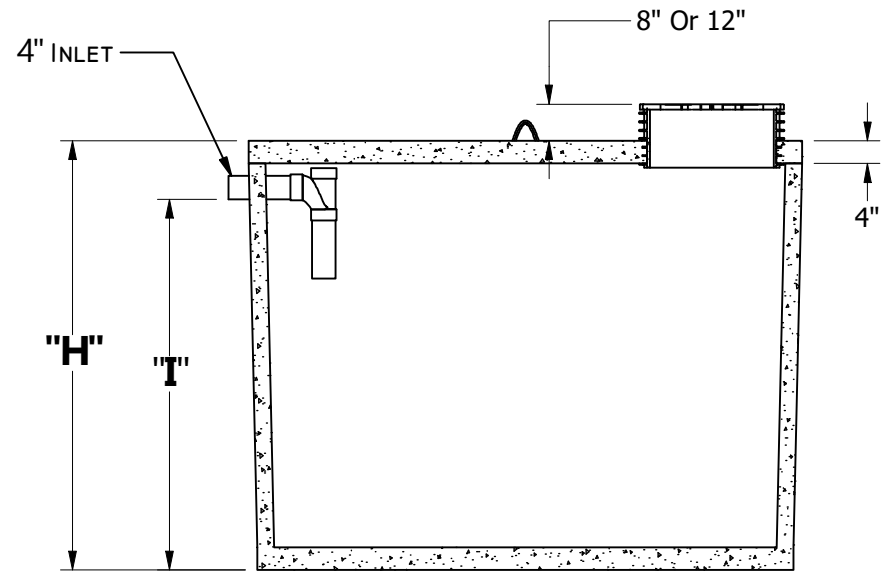


SINGLE COMP. HOLDING/PUMP TANKS (500 -3000 gal.)



GENERAL NOTES:

- ALL DIMENSIONS IN INCHES
- IF H₂O TRAFFIC LID IS INSTALLED HEIGHT (H) IS RAISED 4IN
- CONCRETE 28 DAY COMPRESSIVE STRENGTH FC: 4000PSI
- REBAR #4 ASTM A-615 GRADE 60
- DL: 36IN EARTH COVER
- LL: 25 SNOW
- SOILS: 2000PSI
- WATER PRESSURE: 62.4PSF
- FLEXIBLE PIPE ADAPTER PRESS SEAL 4IN CAST-A-STEEL
- JOINT MATERIAL MEETS FEDERAL SPECS. SS-S-002I
- RISERS AS REQUIRED



	L	W	H	I	Weight (lb)	Gal./in
500 Gal.	64	54	65	52	5306	11.16
750 Gal.	73	64	65	52	6734	15.82
1000 Gal.	99	64	65	51	8906	22.07
1250 Gal.	98	65	76	62	9484	22.14
1500 Gal.	114	72	76	62	12123	28
1750 Gal.	114	72	82	67	12455	27.32
3000 Gal.	151	86	87	73	21163	45.18