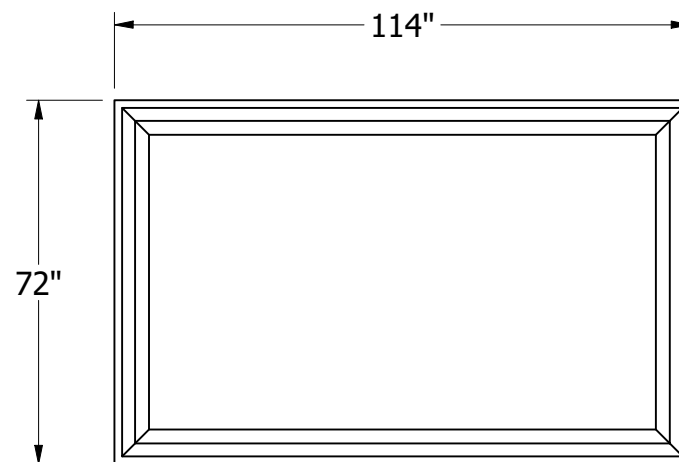
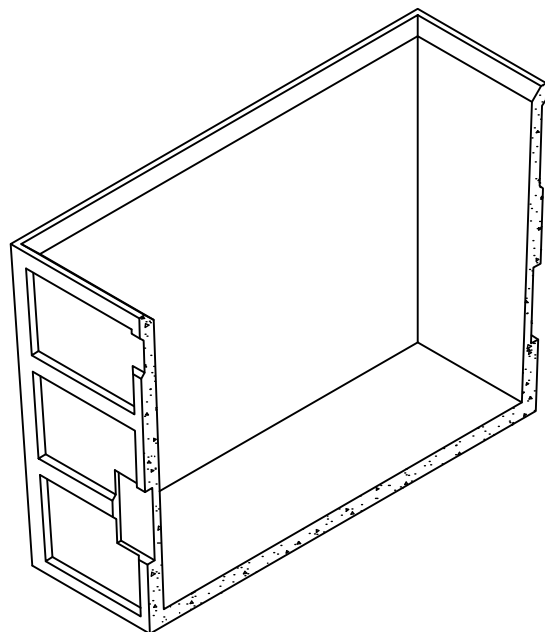


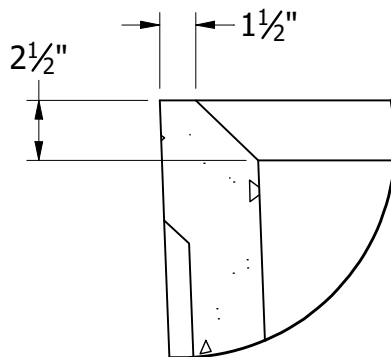
**GLENDON M - 31 BASIN
(1750 gal.)**



TOP VIEW

*

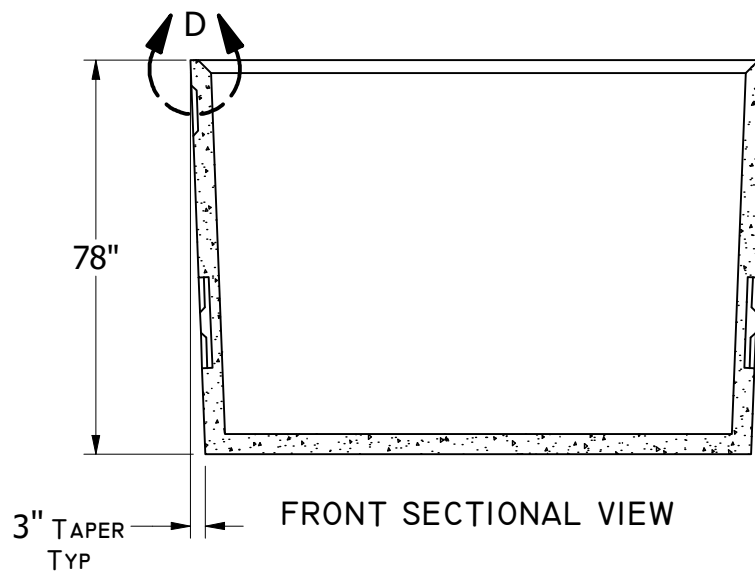
NOTE: LID AND BOOTS NOT PROVIDED WITH GLENDON TANK



OPTIONAL TAPER
DETAIL D

GENERAL NOTES:

- WEIGHT: 9,727LB
- CONCRETE 28 DAY COMPRESSIVE STRENGTH FC: 4000PSI
- REBAR #4 ASTM A-615 GRADE 60
- DL: 36IN EARTH COVER
- LL: 25 SNOW
- SOILS: 2000PSI
- WATER PRESSURE: 62.4PSF
- FLEXIBLE PIPE ADAPTER PRESS SEAL 4IN CAST-A-STEEL
- JOINT MATERIAL MEETS FEDERAL SPECS. SS-S-0021



FRONT SECTIONAL VIEW