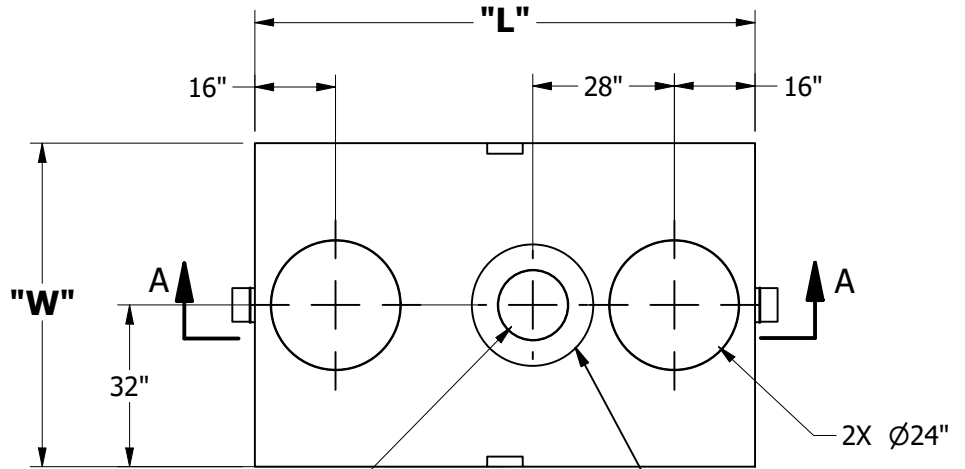
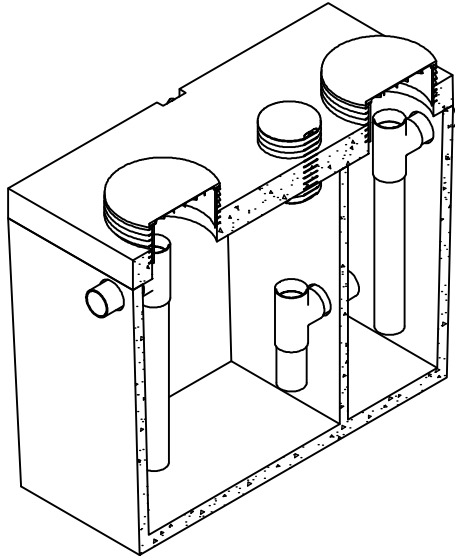


19604 67TH AVE NE ARLINGTON, WA 98223
 (360) 435-5531 WWW.CUZCONCRETE.COM

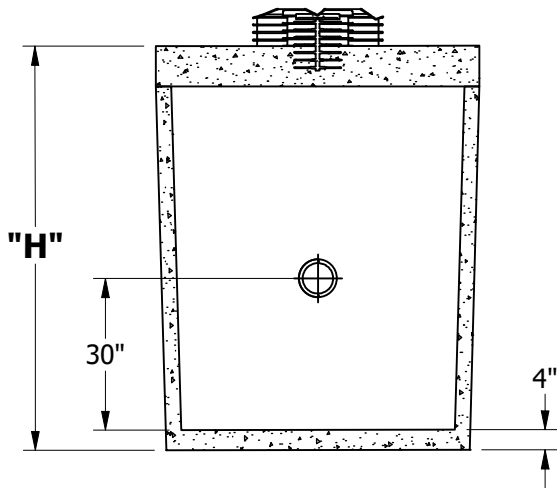


TOP VIEW

	Weight (lb)	SC (Gal./in)	LC (Gal./in)	L	W	H	I	O
1000 GALLON	10898	7.15	14.31	99	64	69	53	47
1250 GALLON	11972	6.73	13.46	99	64	80	64	58
1500 GALLON	15324	9.17	18.33	114	72	80	64	58
1750 GALLON	15746	8.93	17.86	114	72	86	69	63
3000 GALLON	26798	14.87	29.75	151	86	96	75	69

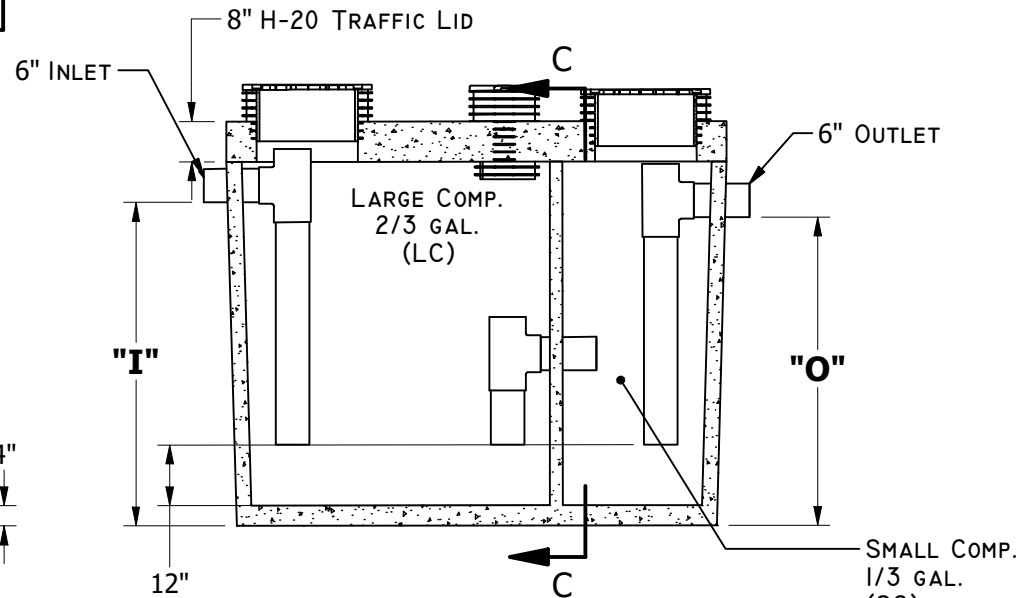
GENERAL NOTES:

- ALL DIMENSIONS IN INCHES
- CONCRETE 28 DAY COMPRESSIVE STRENGTH FC: 4000PSI
- REBAR #4 ASTM A-615 GRADE 60
- DL: 36IN EARTH COVER
- LL: 25 SNOW
- SOILS: 2000PSI
- WATER PRESSURE: 62.4PSF
- FLEXIBLE PIPE ADAPTER PRESS SEAL 4IN CAST-A-STEEL
- JOINT MATERIAL MEETS FEDERAL SPECS. SS-S-002I
- RISERS AS REQUIRED
- H-20 LOAD



LEFT SECTIONAL VIEW

SECTION C-C



FRONT SECTIONAL VIEW

SECTION A-A