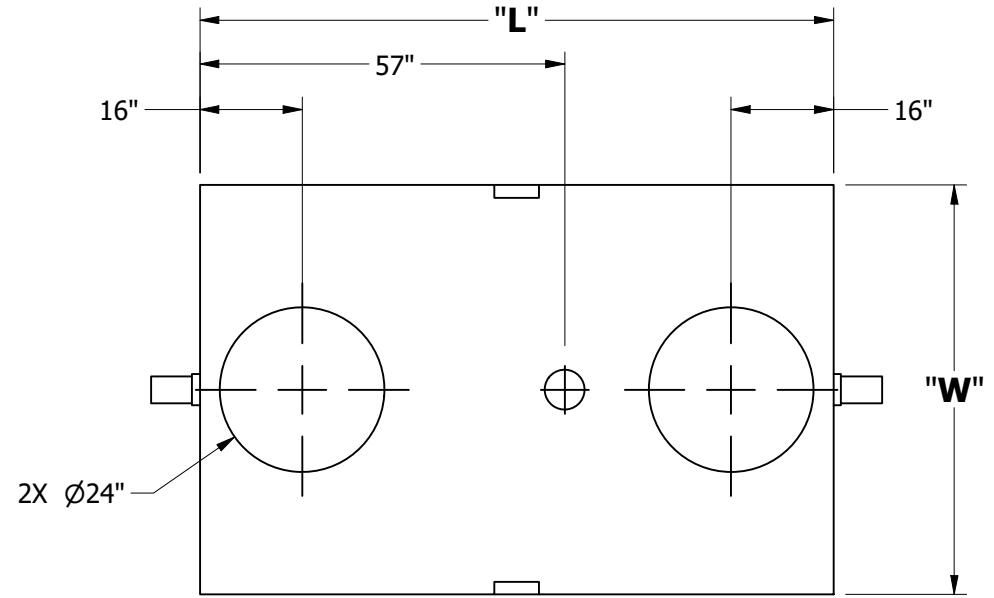
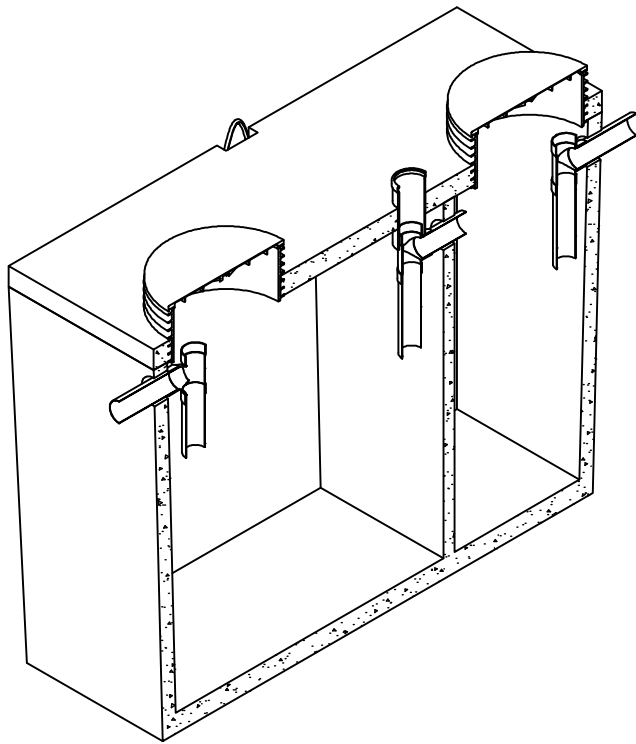
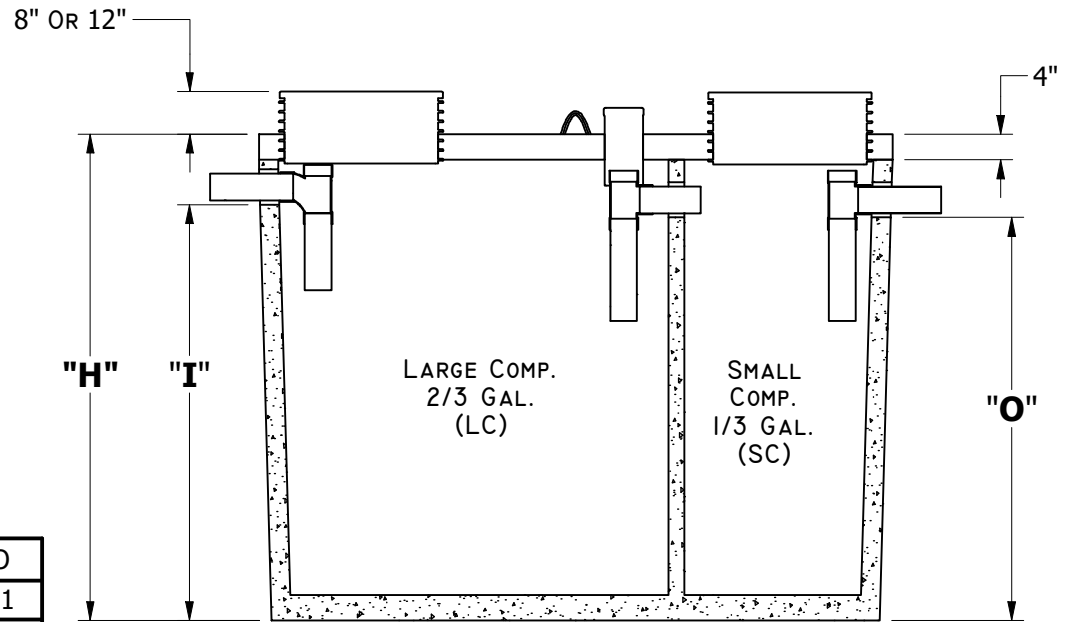


DOUBLE COMP. SEPTIC TANKS (1000 - 3000 gal.)



TOP VIEW



FRONT SECTIONAL VIEW

GENERAL NOTES:

- ALL DIMENSIONS IN INCHES
- IF H₂O TRAFFIC LID IS INSTALLED HEIGHT (H) IS RAISED 4IN
- CONCRETE 28 DAY COMPRESSIVE STRENGTH F_c: 4000PSI
- REBAR #4 ASTM A-615 GRADE 60
- DL: 36IN EARTH COVER
- LL: 25 SNOW
- SOILS: 2000PSI
- WATER PRESSURE: 62.4PSF
- FLEXIBLE PIPE ADAPTER PRESS SEAL 4IN CAST-A-STEEL
- JOINT MATERIAL MEETS FEDERAL SPECS. SS-S-002I
- RISERS AS REQUIRED

	Weight (lb)	SC (Gal./in)	LC (Gal./in)	L	W	H	I	O
1000 Gal.	9098	7.15	14.31	99	64	65	54	51
1250 Gal.	10163	6.73	13.46	99	64	76	65	62
1500 Gal.	12885	9.17	18.33	114	72	76	65	62
1750 Gal.	13295	8.93	17.86	114	72	82	70	67
3000 Gal.	22683	14.87	29.75	151	86	92	76	73