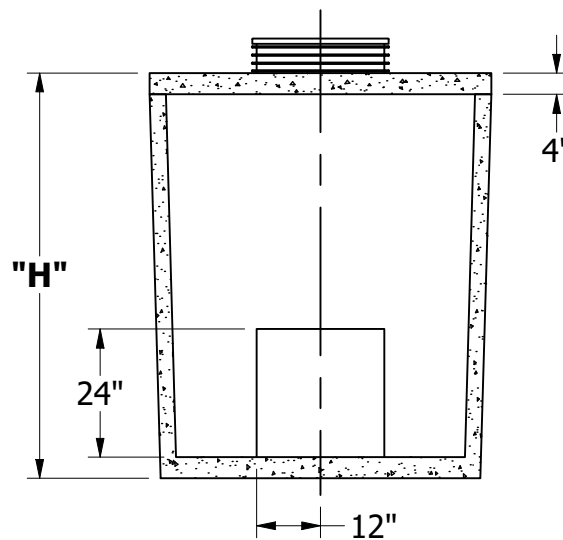


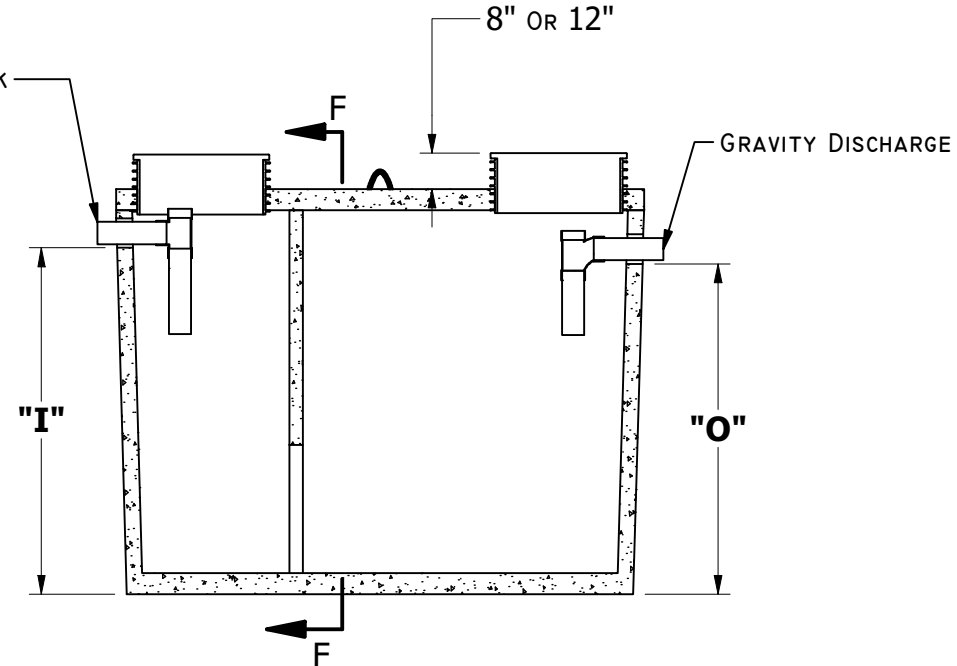
TOP VIEW

	Weight (lb)	Gal./in	L	W	H	I	O
1000 Gal.	9150	21.89	99	64	65	54	51
1250 Gal.	10200	22.77	99	64	76	65	62
1750 Gal.	13350	26.89	114	72	82	70	67
3000 Gal.	21150	45.18	151	86	87	76	73

FROM NIBBLER TANK



LEFT SECTIONAL VIEW  
SECTION F-F



FRONT SECTIONAL VIEW

**GENERAL NOTES:**

- IF H2O TRAFFIC LID IS INSTALLED HEIGHT (H) IS RAISED 4IN
- CONCRETE 28 DAY COMPRESSIVE STRENGTH Fc: 4000PSI
- REBAR #4 ASTM A-615 GRADE 60
- DL: 36IN EARTH COVER
- LL: 25 SNOW
- SOILS: 2000PSI
- WATER PRESSURE: 62.4PSF
- FLEXIBLE PIPE ADAPTER PRESS SEAL 4IN CAST-A-STEEL
- JOINT MATERIAL MEETS FEDERAL SPECS. SS-S-002I
- RISERS AS REQUIRED