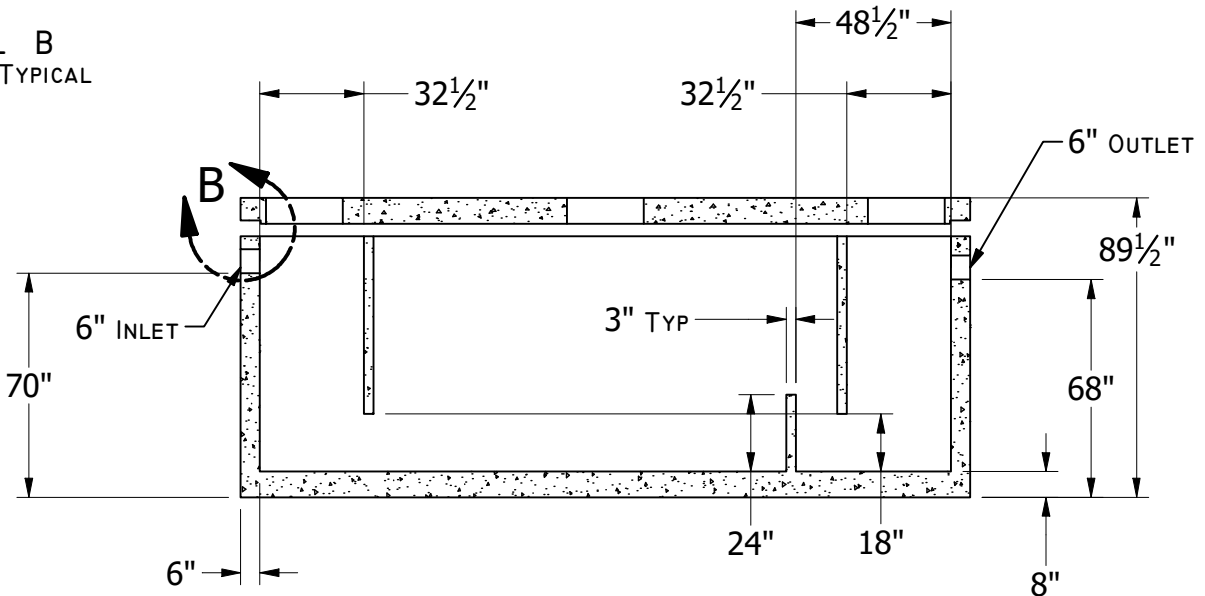


- GENERAL NOTES:**
- TOTAL WEIGHT: 61,157LB
  - CONCRETE: 28 DAY COMPRESSIVE STRENGTH FC: 4500PSI
  - REBAR: #4 ASTM A-615 GRADE 60
  - MESH: ASTM A-185 GRADE 88
  - DESIGN: ASTM C-857 "MINIMUM STRUCTURAL DESIGN LOADING FOR UNDERGROUND PRECAST CONCRETE UTILITY STRUCTURES"
  - LOADS: H-20 TRUCK WHEEL WITH 30% IMPACT PER AASHTO
  - REINFORCING PLACEMENT: 4X4 - 4 GAUGE THROUGHOUT WITH 2 - #4 BARS ALONG BELL JOINTS
  - HATCHES PER DISTRIC SPECIFICATIONS
  - JOINT MATERIAL: MEETS FEDERAL SPECIFICATIONS SS-S-00210, AASHTO M-1988 AND ASTM C990
  - TRAFFIC RATED RISERS AS NEEDED



**FRONT SECTIONAL VIEW**