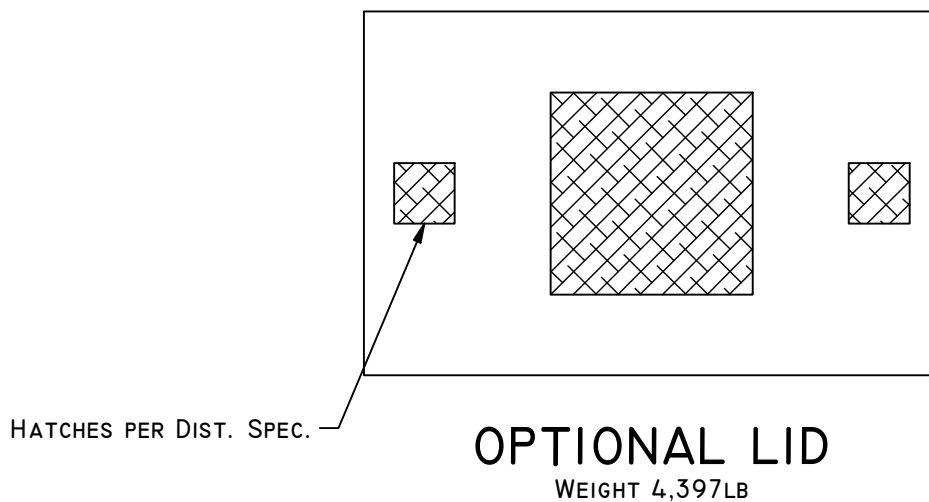
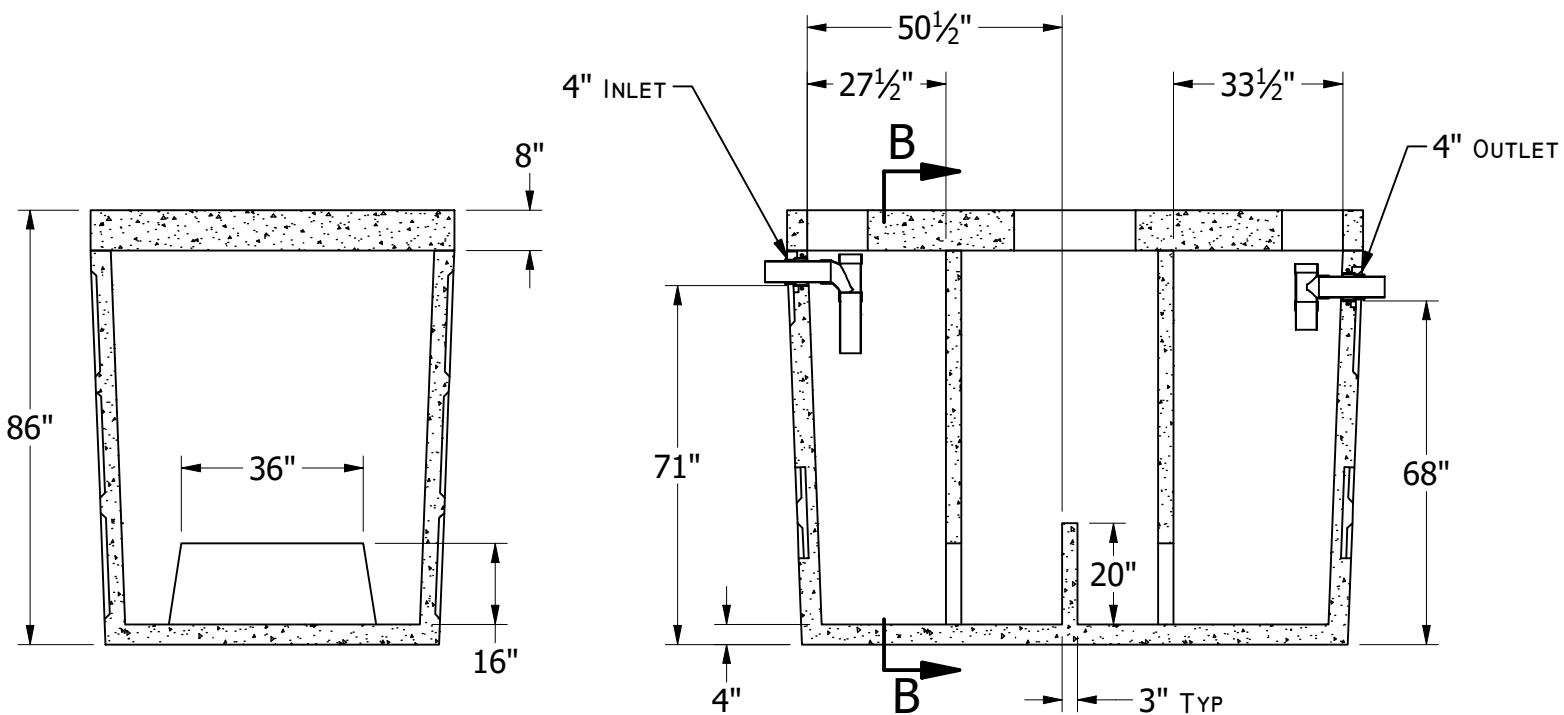
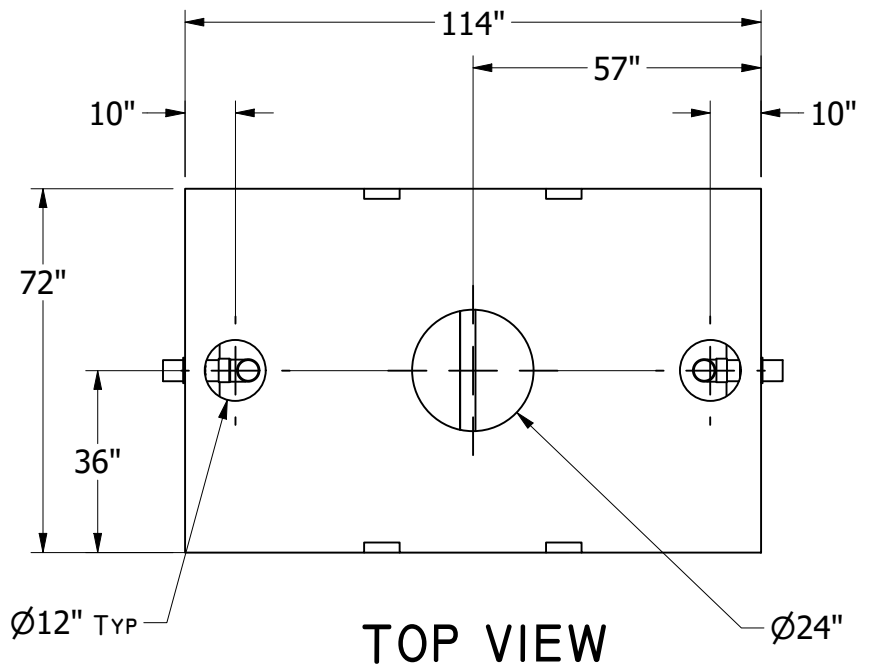


GENERAL NOTES:

- TOTAL WEIGHT: 17,288LB
- CONCRETE: 28 DAY COMPRESSIVE STRENGTH F'C: 4000Psi
- REBAR: #4 ASTM A-615 GRADE 80
- MESH: ASTM A-185 GRADE 88
- DESIGN: ASTM C-857 "MINIMUM STRUCTURAL DESIGN LOADING FOR UNDERGROUND PRECAST CONCRETE UTILITY STRUCTURES"
- LOADS: H-20 TRUCK WHEEL w/ 30% IMPACT PER AASHTO
- REINFORCMENT PLATE: 4X4/4 GAUGE THROUGHOUT w/ 2 - #4 BARS ALONG BELL JOINTS
- JOINT MATERIAL: MEETS FEDERAL SPECS. SS-S-00210, AASHTO M-1988 AND ASTM C990
- HATCHES PER DISTRICT SPECIFICATIONS





LEFT SECTIONAL VIEW
SECTION B-B

FRONT SECTIONAL VIEW