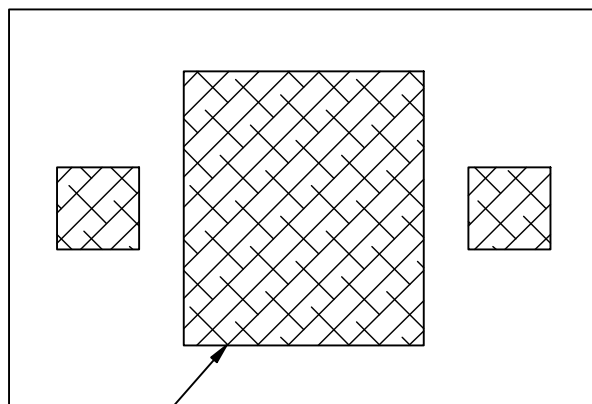
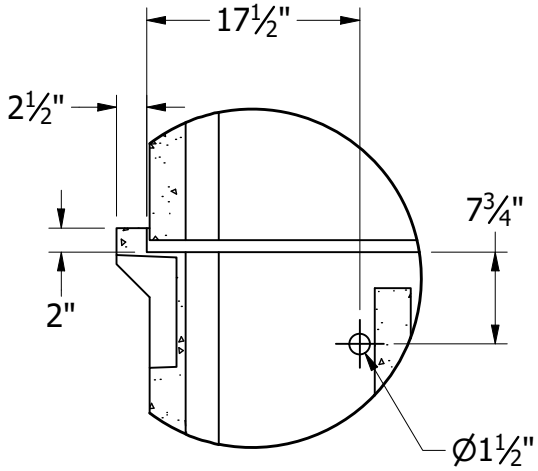


GENERAL NOTES:

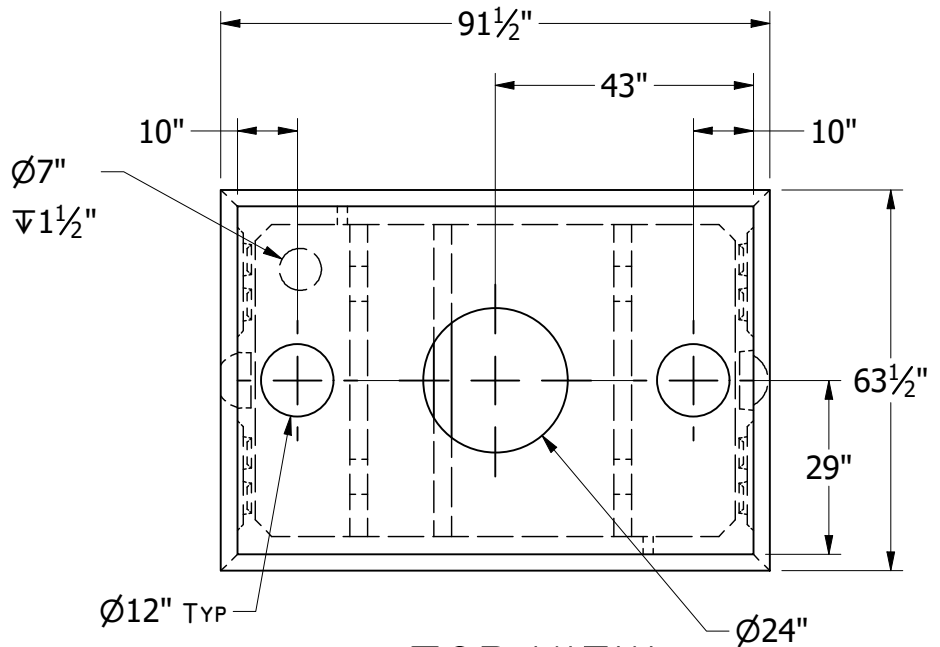
- TOTAL WEIGHT: 11,259LB
- CONCRETE: 28 DAY COMPRESSIVE STRENGTH FC: 4500PSI
- REBAR: #4 ASTM A-615 GRADE 60
- MESH: ASTM A-185 GRADE 88
- DESIGN: ASTM C-857 "MINIMUM STRUCTURAL DESIGN LOADING FOR UNDERGROUND PRECAST CONCRETE UTILITY STRUCTURES"
- LOADS: H-20 TRUCK WHEEL WITH 30% IMPACT PER AASHTO
- REINFORCING PLACEMENT: 4X4 - 4 GAUGE THROUGHOUT WITH 2 - #4 BARS ALONG BELL JOINTS
- HATCHES PER DISTRICT SPECIFICATIONS
- JOINT MATERIAL: MEETS FEDERAL SPECIFICATIONS SS-S-00210, AASHTO M-1988 AND ASTM C990
- TRAFFIC RATED RISERS AS NEEDED



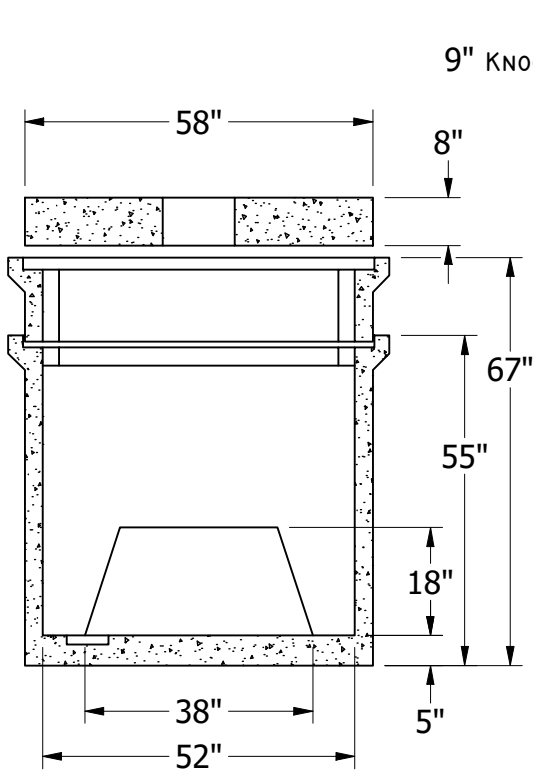
HATCHES PER DIST. SPEC. **OPTIONAL LID  
 WEIGHT 2,296LB**



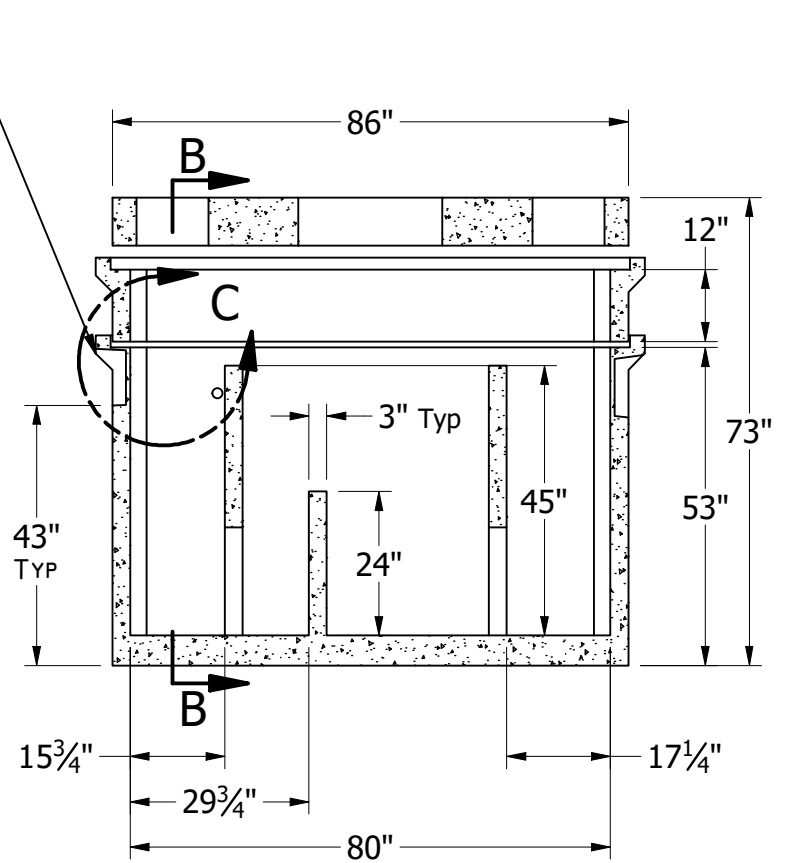
**DETAIL C**  
 DIMENSIONS TYPICAL



**TOP VIEW**



**LEFT SECTIONAL VIEW**  
 SECTION B-B



**FRONT SECTIONAL VIEW**