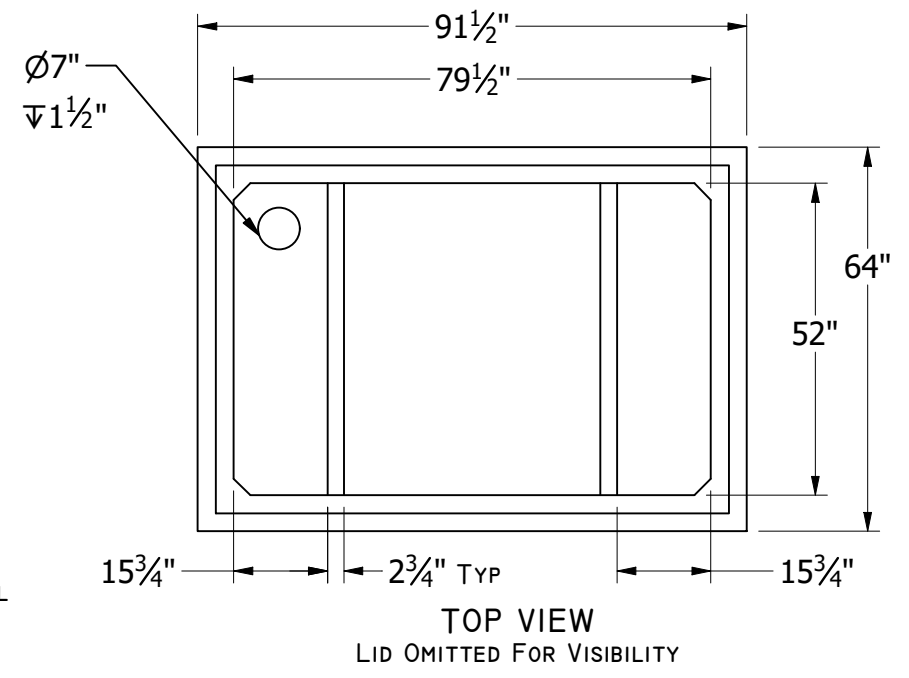
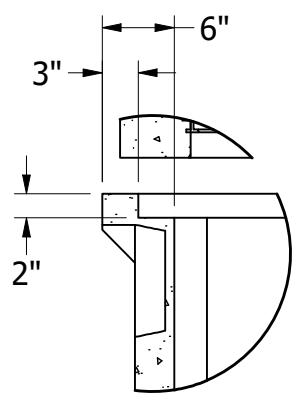
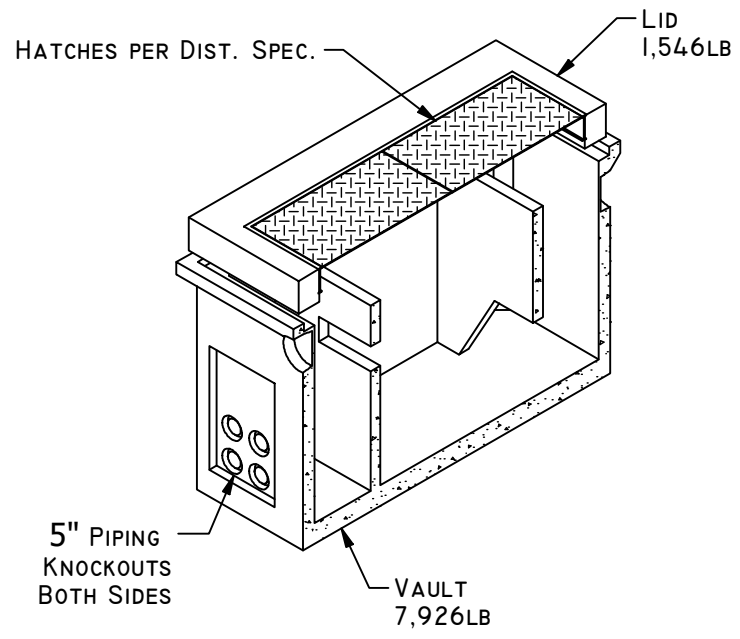
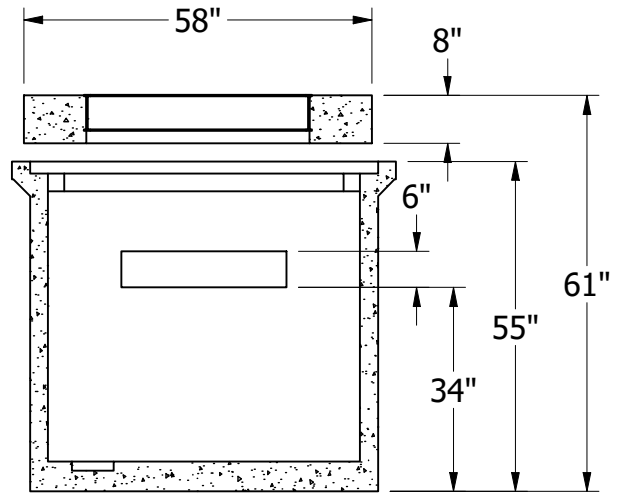


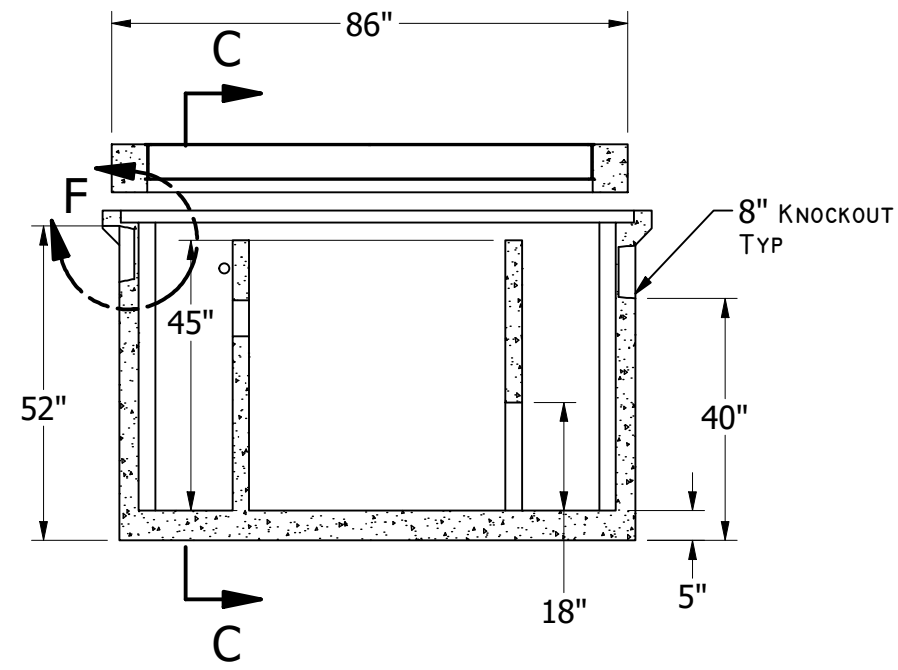
19604 67TH AVE NE ARLINGTON, WA 98223
 (360) 435-5531 WWW.CUZCONCRETE.COM



- GENERAL NOTES:**
- APPROX. WEIGHT: 8,600 LBS
 - CONCRETE: 28 DAY COMPRESSIVE STRENGTH FC: 4500psi
 - REBAR: #4 ASTM A-615 GRADE 60
 - MESH: ASTM A-185 GRADE 88
 - DESIGN: ASTM C-857 "MINIMUM STRUCTURAL DESIGN LOADING FOR UNDERGROUND PRECAST CONCRETE UTILITY STRUCTURES"
 - LOADS: H-20 TRUCK WHEEL WITH 30% IMPACT PER AASHTO
 - REINFORCING PLACEMENT: 4XL - 4 GAUGE THROUGHOUT WITH 2 - #4 BARS ALONG BELL JOINTS
 - HATCHES PER DISTRIC SPECIFICATIONS
 - JOINT MATERIAL: MEETS FEDERAL SPECIFICATIONS SS-S-00210, AASHTO M-1988 AND ASTM C990
 - TRAFFIC RATED RISERS AS NEEDED



LEFT SECTIONAL VIEW SECTION C-C



FRONT SECTIONAL VIEW