

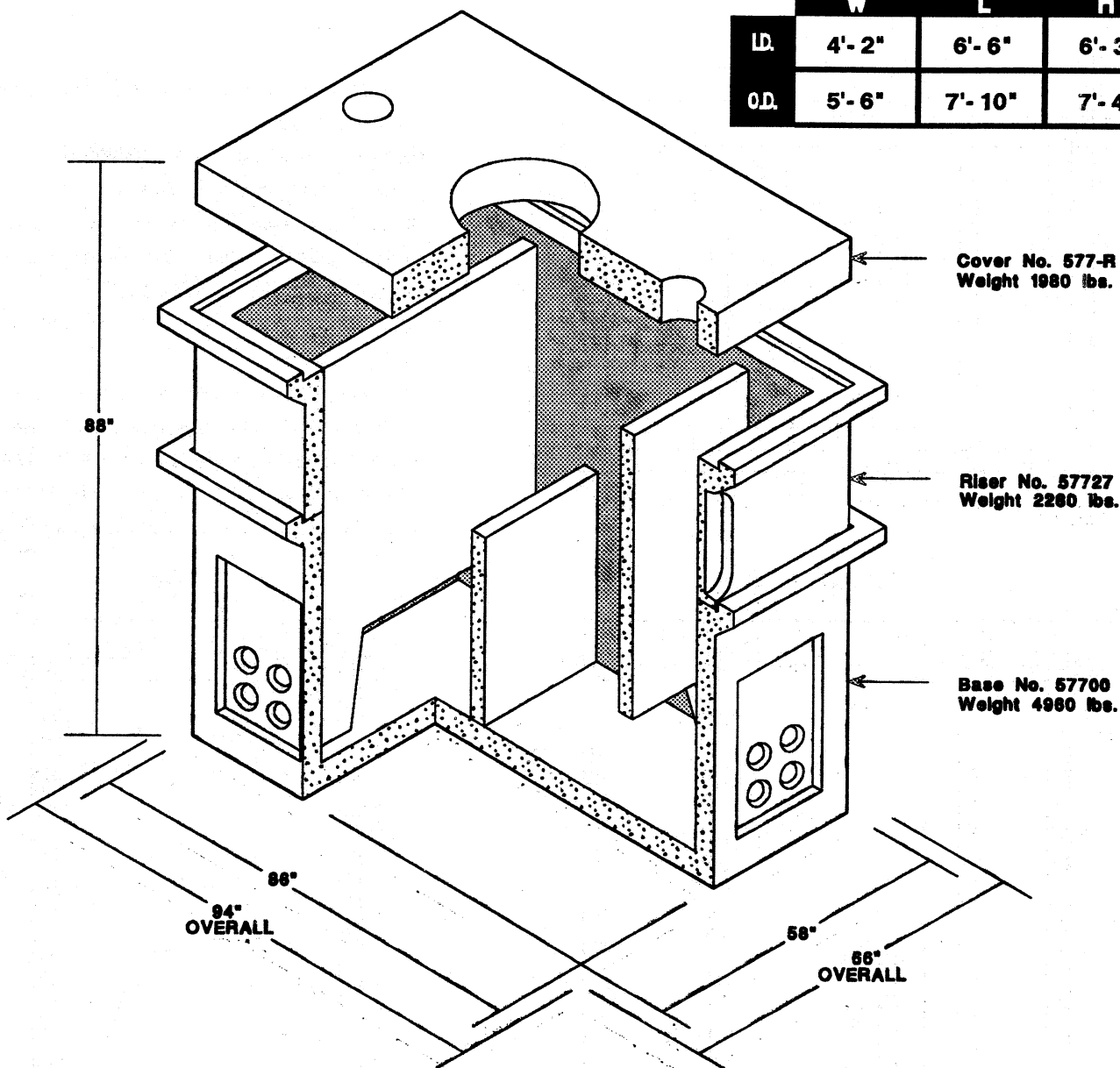


CONCRETE PRODUCTS

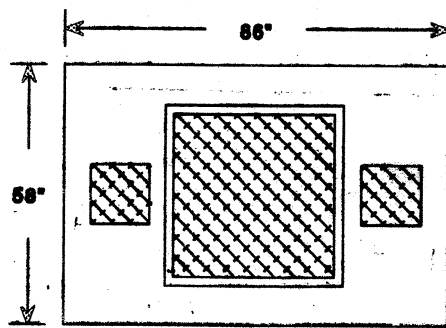
CCP 577 OWS

19604 - 67th Ave NE Arlington, Wa. 98223 Telephone (360) 435-5531 Fax (360) 435-8575

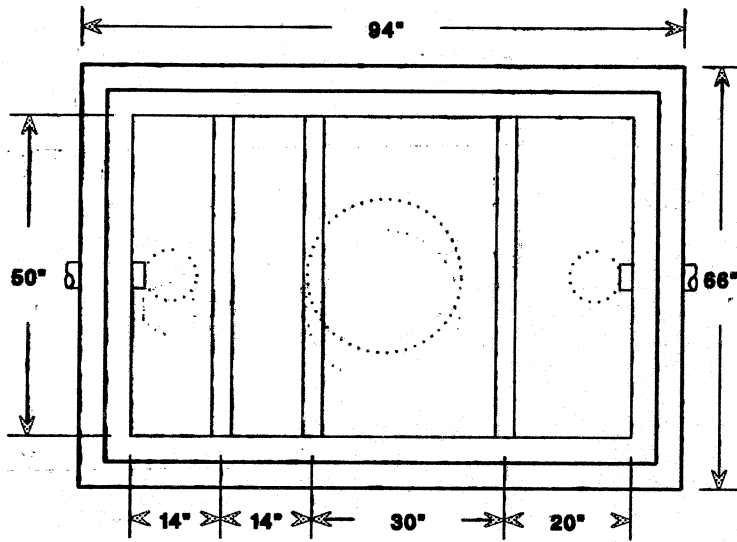
	W	L	H
ID.	4'-2"	6'-6"	6'-3"
O.D.	5'-6"	7'-10"	7'-4"



Optional Covers



Cover No. 577-S  
Weight 1850 lbs.



- CONCRETE : 28 DAY COMPRESSIVE STRENGTH  
f'c = 4000 psi
- REBAR : #4 ASTM A-615 GRADE 60
- MESH : ASTM A-185 GRADE 88
- DESIGN : ASTM C-857 "MINIMUM STRUCTURAL DESIGN LOADING FOR UNDERGROUND PRECAST CONCRETE UTILITY STRUCTURES"
- LOADS : H-20 TRUCK WHEEL w/ 30% IMPACT PER AASHTO
- REINFORCEING PLACEMENT : 4x4 / 4 GAUGE THROUGHOUT w/2-#4 BARS ALONG BELL JOINTS
- JOINT MATERIAL : MEETS FEDERAL SPECS. SS-S-00210, AASHTO M-1988 AND ASTM C990
- HATCHES PER DISTRICT SPECIFICATIONS

