

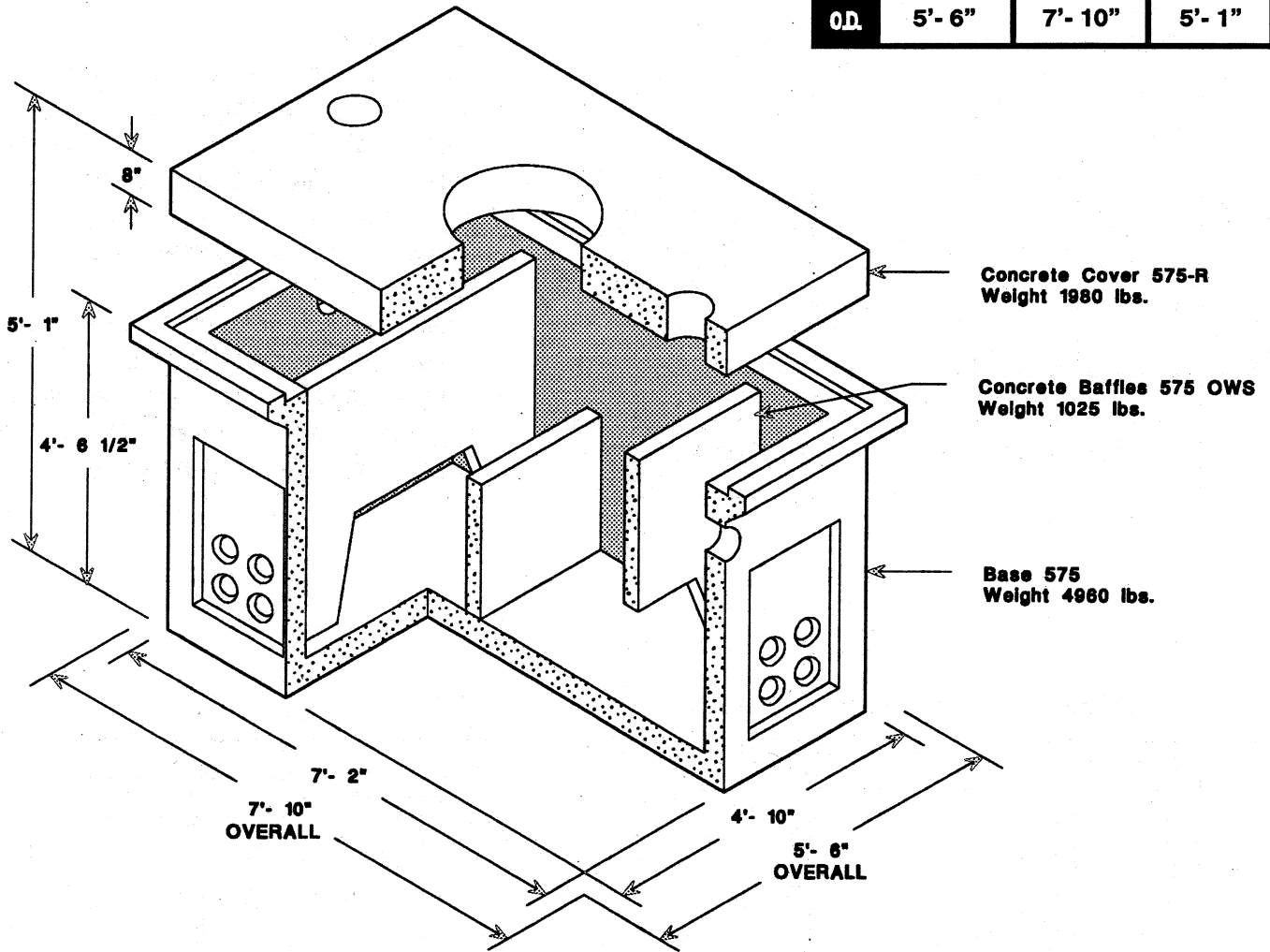


CONCRETE PRODUCTS

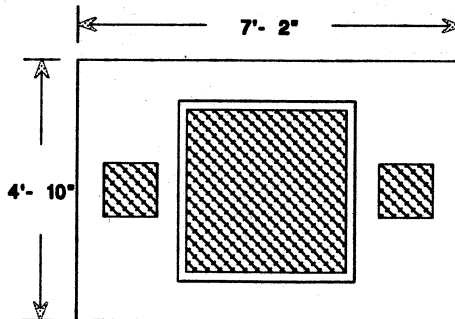
CCP 575 OWS

19604 - 67th Ave NE Arlington, Wa. 98223 Telephone (360) 435-5531 Fax (360) 435-8575

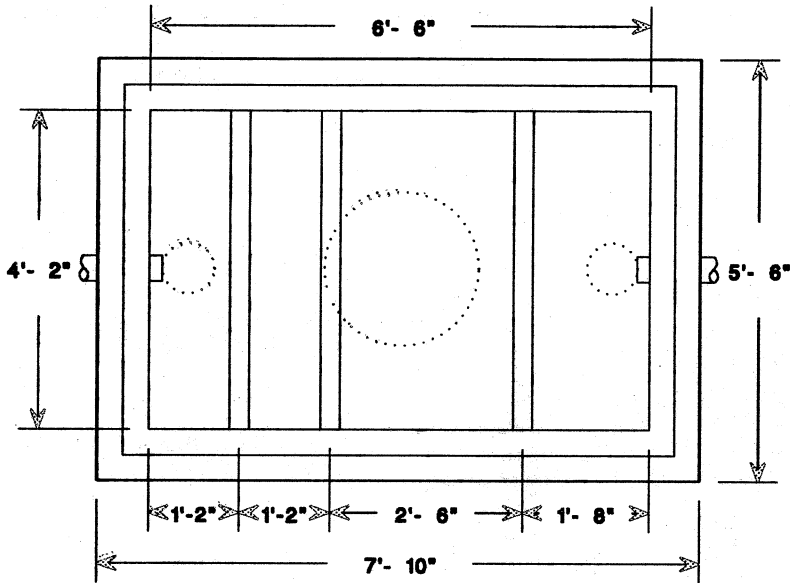
	W	L	H
I.D.	4'- 2"	6'- 6"	4'- 0"
O.D.	5'- 6"	7'- 10"	5'- 1"



Optional Covers



Hatch Cover 575-S
Weight 1850 lbs.



- CONCRETE : 28 DAY COMPRESSIVE STRENGTH
f'c = 4000 psi
- REBAR : #4 ASTM A-615 GRADE 60
- MESH : ASTM A-185 GRADE 88
- DESIGN : ASTM C-857 "MINIMUM STRUCTURAL
DESIGN LOADING FOR UNDERGROUND PRECAST
CONCRETE UTILITY STRUCTURES
- LOADS : H-20 TRUCK WHEEL w/ 30% IMPACT
PER AASHTO
- REINFORCING PLACEMENT : 4x4 / 4 GAUGE
THROUGHOUT w/2-#4 BARS ALONG BELL JOINTS
- JOINT MATERIAL : MEETS FEDERAL SPECS.
SS-S-00210, AASHTO M-1988 AND ASTM C990
- HATCHES PER DISTRICT SPECIFICATIONS

