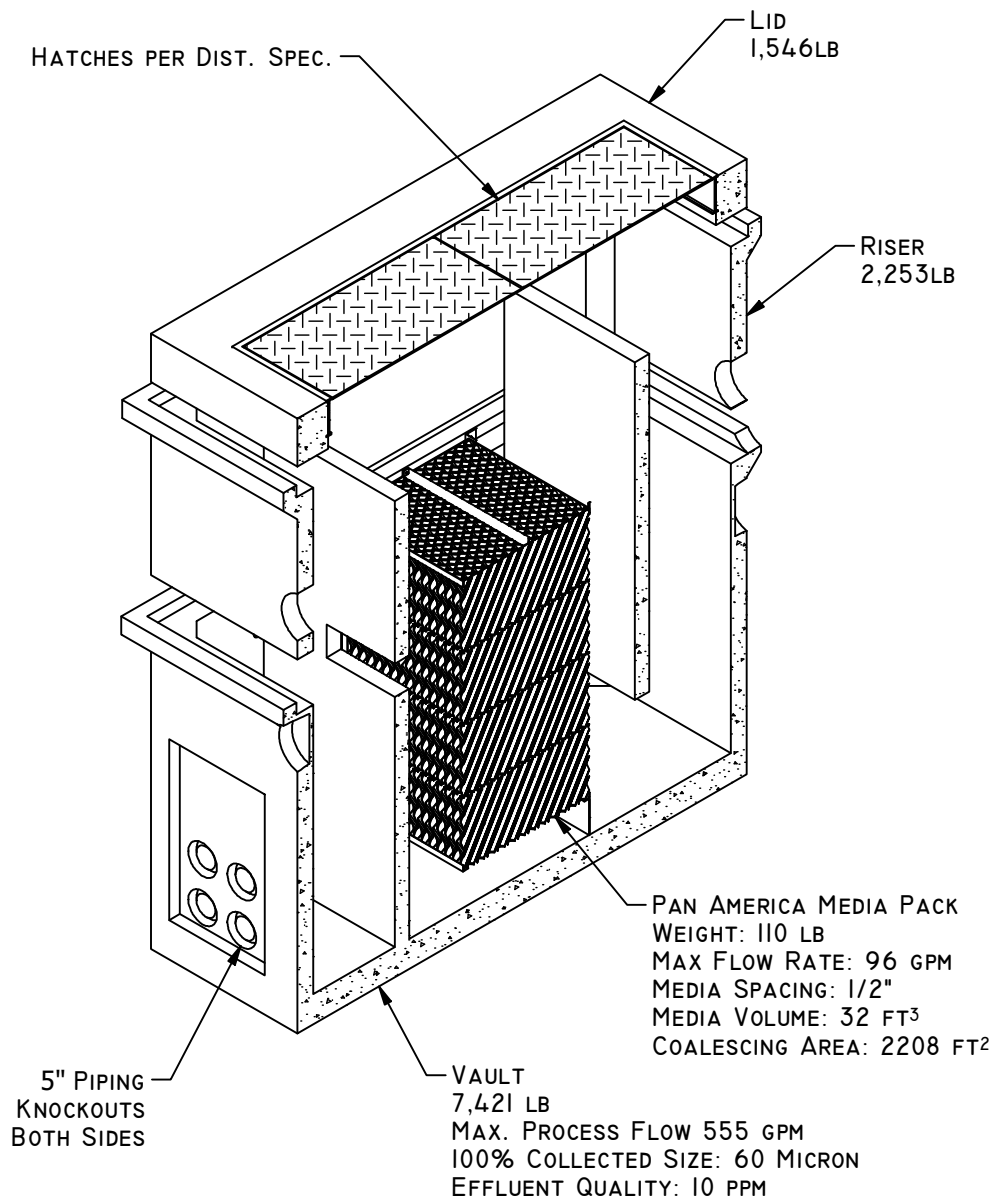
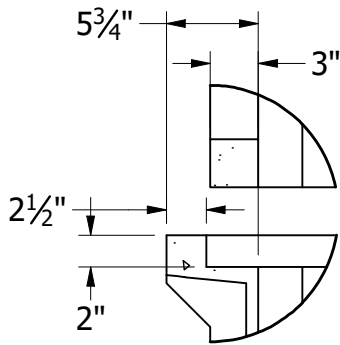


19604 67TH AVE NE ARLINGTON, WA 98223  
 (360) 435-5531 WWW.CUZCONCRETE.COM

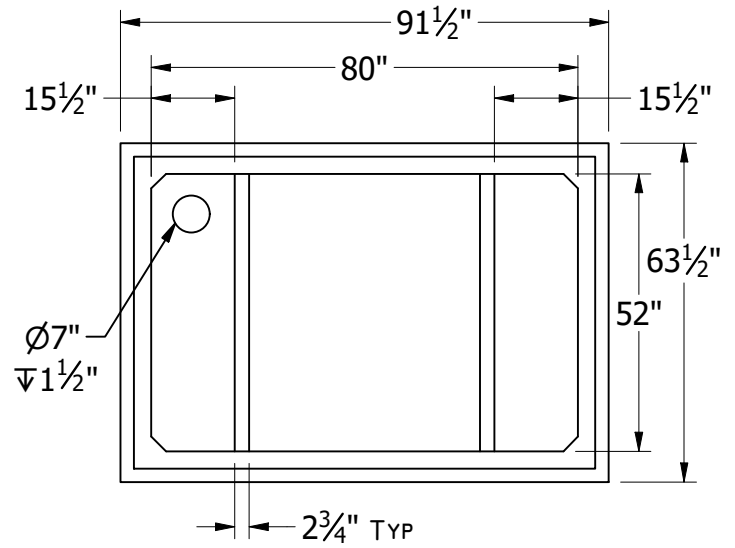


GENERAL NOTES:

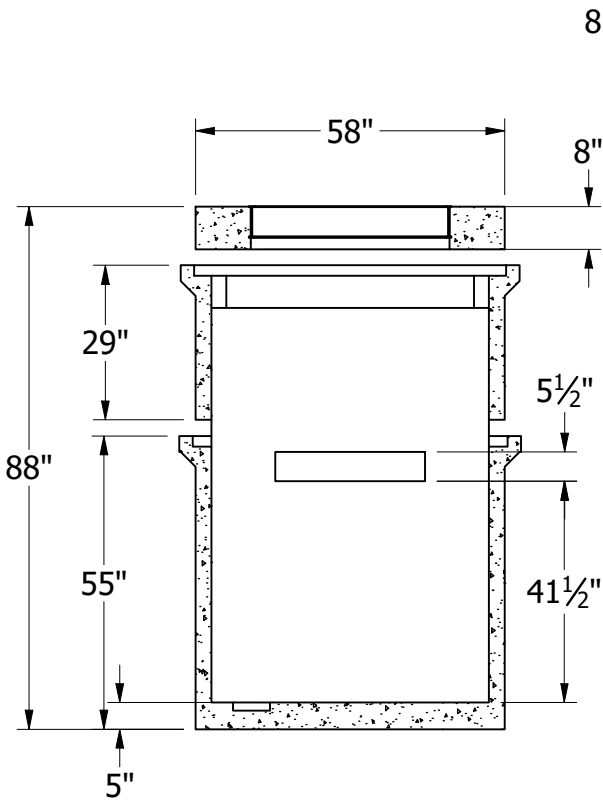
- APPROX. WEIGHT: 1,369 LB
- CONCRETE: 28 DAY COMPRESSIVE STRENGTH  $f_c$ : 4500psi
- REBAR: #4 ASTM A-615 GRADE 60
- MESH: ASTM A-185 GRADE 88
- DESIGN: ASTM C-857 "MINIMUM STRUCTURAL DESIGN LOADING FOR UNDERGROUND PRECAST CONCRETE UTILITY STRUCTURES"
- LOADS: H-20 TRUCK WHEEL WITH 30% IMPACT PER AASHTO
- REINFORCING PLACEMENT: 4x4 - 4 GAUGE THROUGHOUT WITH 2 - #4 BARS ALONG BELL JOINTS
- HATCHES PER DISTRICT SPECIFICATIONS
- JOINT MATERIAL: MEETS FEDERAL SPECIFICATIONS SS-S-00210, AASHTO M-1988 AND ASTM C990
- TRAFFIC RATED RISERS AS NEEDED



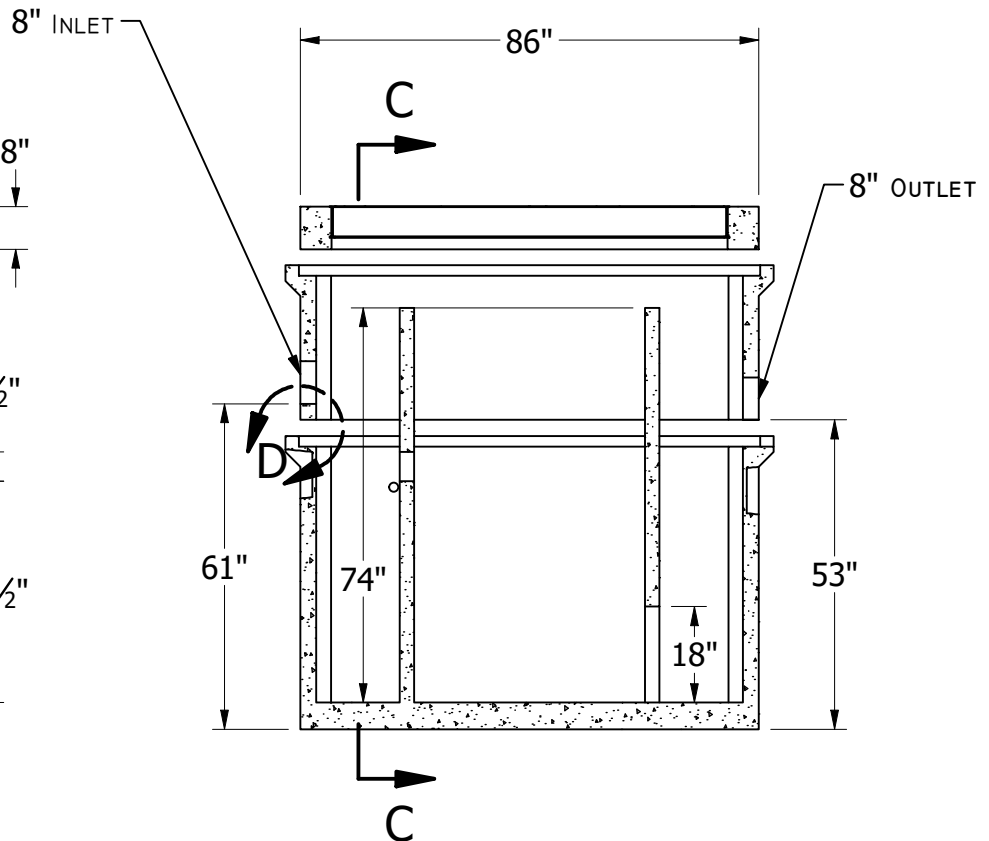
**DETAIL D**  
 DIMENSIONS TYPICAL



**TOP VIEW**  
 LID OMITTED FOR VISIBILITY



**RIGHT SECTIONAL VIEW**  
 SECTION C-C



**FRONT SECTIONAL VIEW**